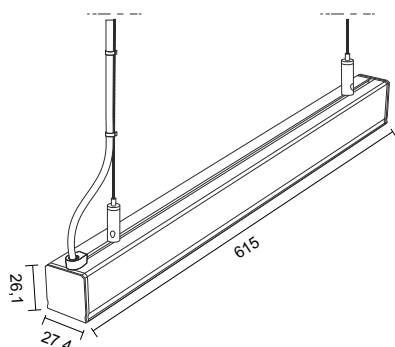


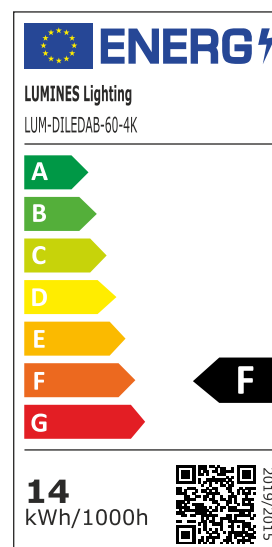
LUMINES Lighting DILEDA Linear LED Luminaire



DILEDA
by **LUMINES**[®]
LIGHTING

LUMINES Lighting Linear LED Luminaire is dedicated mainly for indoor use. It is used as a main and decorative light source. Due to its minimalistic design, it allows for various interior arrangements.

Exact length of the luminaire [mm]	615
Fixture height [mm]	26,1
Fixture depth [mm]	27,4
Input voltage	220-240V AC
Useful luminous flux [lm] in a 120° cone	1070
Color temperature CCT [K]	4000
Color	White lacquered



SET INCLUDES

LED luminaire	Aluminum
Light source	Samsung LED
Diffuser material	PMMA
Diffuser color	Milk
Set of suspensions	
Line	1250 mm x 1,2 mm
Cable lock	M4 9x29 nickel plated
Nipple	M10x1 nickel plated
Ceiling mounting bracket	15x15 M10x1 nickel

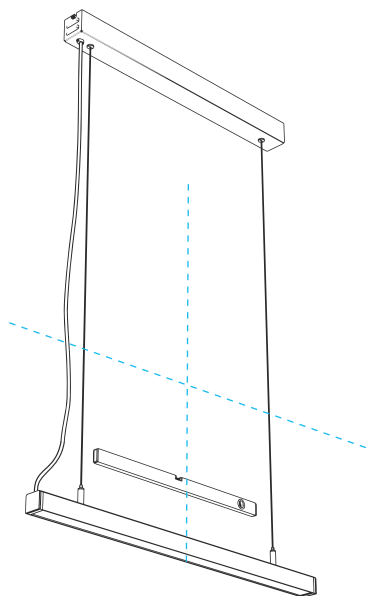
PARAMETERS

Symbol	LUM-DILEDAB-60-4K
Index	26-0000-11
Weight with packaging [kg]	1,6
Power on mode [W]	14
Energy efficiency class	F
Standby power [W]	0
Power factor	0,84
Total luminous flux [lm]	1280
Luminous efficiency [lm / W]	90
Peak light [cd / klm]	483,61
CRI Ra	>80
R9	11

Chromaticity Coordinates (x)	0,3827
Chromaticity Coordinates (y)	0,3800
Radiation angle (°)	95
Color uniformity in MacAdam ellipses	<4 degrees
Strobe Effect Indicator (SVM)	0,04
Flicker Index (Pst LM)	0,3
Lighting maintenance factor [%]	96
Dimmable	Not
IP	20
Lifespan L70B50	>54000
Guarantee	60 months



Power Factor PF ≥0,9	Voltage 220-240 V 50-60 Hz	Power 14 W	CRI Ra >80	IP protection IP20	Beam angle 100°	Lifespan 54 000 h	off on 25 000	60% 0,02 s	Starting time <0,02 s	Temperature range °C +60 -20	
--	---	--------------------------------	--------------------------------	-------------------------------------	---------------------------	-----------------------------	-------------------------	---------------	--	--	--



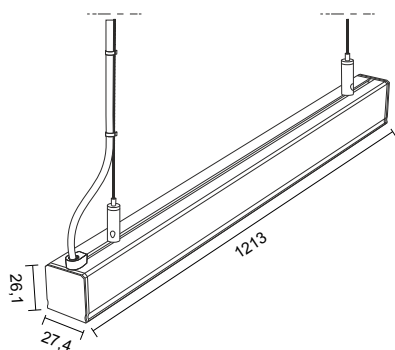
How to install?



Scan the QR code to
see the instructional video



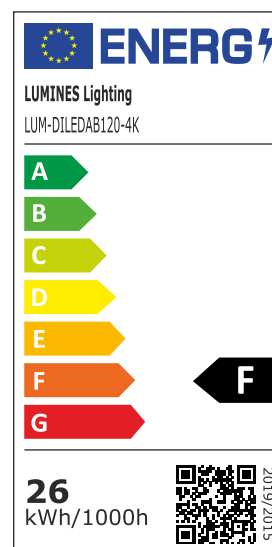
LUMINES Lighting DILEDA Linear LED Luminaire



DILEDA
by **LUMINES**[®]
LIGHTING

LUMINES Lighting Linear LED Luminaire is dedicated mainly for indoor use. It is used as a main and decorative light source. Due to its minimalistic design, it allows for various interior arrangements.

Exact length of the luminaire [mm]	1213
Fixture height [mm]	26,1
Fixture depth [mm]	27,4
Input voltage	220-240V AC
Useful luminous flux [lm] in a 120° cone	2150
Color temperature CCT [K]	4000
Color	White lacquered



SET INCLUDES

LED luminaire	Aluminum
Light source	Samsung LED
Diffuser material	PMMA
Diffuser color	Milk
Set of suspensions	
Line	1250 mm x 1,2 mm
Cable lock	M4 9x29 nickel plated
Nipple	M10x1 nickel plated
Ceiling mounting bracket	15x15 M10x1 nickel

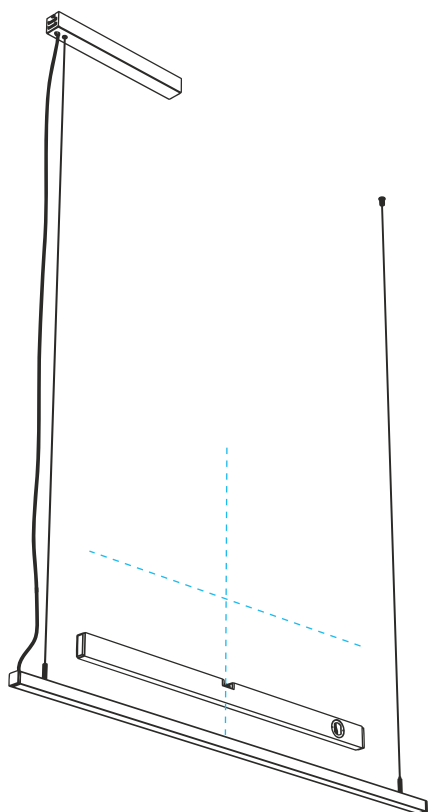
PARAMETERS

Symbol	LUM-DILEDAB120-4K
Index	26-0000-09
Weight with packaging [kg]	2,14
Power on mode [W]	26
Energy efficiency class	F
Standby power [W]	0
Power factor	0,91
Total luminous flux [lm]	2570
Luminous efficiency [lm / W]	98,8
Peak light [cd / klm]	487,94
CRI Ra	>80
R9	11

Chromaticity Coordinates (x)	0,3827
Chromaticity Coordinates (y)	0,3800
Radiation angle (°)	96
Color uniformity in MacAdam ellipses	<4 degrees
Strobe Effect Indicator (SVM)	0,04
Flicker Index (Pst LM)	0,3
Lighting maintenance factor [%]	96
Dimmable	Not
IP	20
Lifespan L70B50	>54000
Guarantee	60 months



Power Factor PF ≥0,9	Voltage 220-240 V 50-60 Hz	Power 26 W	CRI Ra >80	IP protection IP20	Beam angle 100°	Lifespan 54 000 h	off on 25 000	60% 0,02 s	Starting time <0,02 s	Temperature range +60 °C -20	
-----------------------------------	---	-------------------------	-------------------------	------------------------------	---------------------------	-----------------------------	-------------------------	----------------------	---------------------------------------	---	--



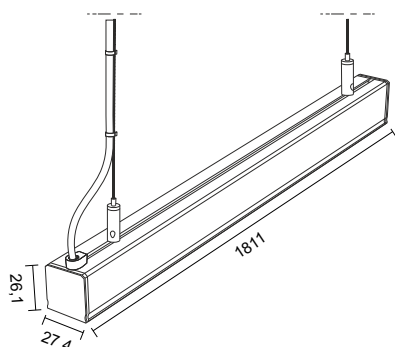
How to install?



Scan the QR code to
see the instructional video




LUMINES Lighting DILEDA Linear LED Luminaire



DILEDA
by **LUMINES**[®]
LIGHTING

LUMINES Lighting Linear LED Luminaire is dedicated mainly for indoor use. It is used as a main and decorative light source. Due to its minimalistic design, it allows for various interior arrangements.

Exact length of the luminaire [mm]	1811
Fixture height [mm]	26,1
Fixture depth [mm]	27,4
Input voltage	220-240V AC
Useful luminous flux [lm] in a 120° cone	3230
Color temperature CCT [K]	4000
Color	White lacquered


 **ENERGY**

LUMINES Lighting
LUM-DILEDAB180-4K

A
B
C
D
E
F
G

F

39
kWh/1000h



2019/2015

SET INCLUDES

LED luminaire	Aluminum
Light source	Samsung LED
Diffuser material	PMMA
Diffuser color	Milk
Set of suspensions	
Line	1250 mm x 1,2 mm
Cable lock	M4 9x29 nickel plated
Nipple	M10x1 nickel plated
Ceiling mounting bracket	15x15 M10x1 nickel

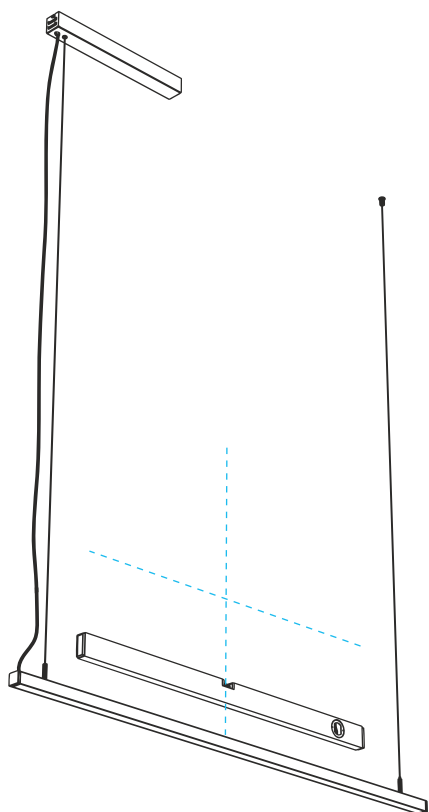
PARAMETERS

Symbol	LUM-DILEDAB180-4K
Index	26-0000-10
Weight with packaging [kg]	2,72
Power on mode [W]	38,5
Energy efficiency class	F
Standby power [W]	0
Power factor	0,95
Total luminous flux [lm]	3850
Luminous efficiency [lm / W]	100,3
Peak light [cd / klm]	487,94
CRI Ra	>80
R9	11

Chromaticity Coordinates (x)	0,3827
Chromaticity Coordinates (y)	0,3800
Radiation angle (°)	96
Color uniformity in MacAdam ellipses	<4 degrees
Strobe Effect Indicator (SVM)	0,04
Flicker Index (Pst LM)	0,3
Lighting maintenance factor [%]	96
Dimmable	Not
IP	20
Lifespan L70B50	>54000
Guarantee	60 months



Power Factor PF ≥0,9	Voltage 220-240 V 50-60 Hz	Power 39 W	CRI Ra >80	IP protection IP20	Beam angle 100°	Lifespan 54 000 h	off on 25 000	60% 0,02 s	Starting time <0,02 s	Temperature range +60 -20	
--	---	--------------------------------	--------------------------------	-------------------------------------	---------------------------	-----------------------------	-------------------------	---------------	--	--	--



How to install?



Scan the QR code to
see the instructional video

